

KUPO Linear Power Distribution Box

Manufactured of extruded aluminum housing, this series of power distribution boxes have slim line profile yet robust and lightweight features. Black hard anodize coating keeps the housing electrical insulated. Equipped with various sockets for diverse need; available with 90-240V voltmeter for easier voltage identification, or DC5V/2.1A USB outlet as smart devices charger



YOUTUBE
LINEAR POWER
DISTRIBUTION BOX



Rear View



PDB-L1601R

1.5U 19" Rack Mount Power Distro Box w/ Voltmeter

Input: 1 x 20A Neutrik PowerCon

Output: 6 x 20A 250V 2P+E Universal socket

Dimension: 482.6 (L) x 51.5 (W) x 66.6 (H)/mm

PDB-L1602R

1.5U 19" Rack Mount Power Distro Box w/ USB Charger

Input: 1 x 20A Neutrik PowerCon

Output: 6 x 20A 250V 2P+E Universal socket

Dimension: 482.6 (L) x 51.5 (W) x 66.6 (H)/mm



PDB-L1501

5 Way Linear Distribution Box with Voltmeter

Input: 1 x 20A Neutrik PowerCon

Output: 5 x 20A 250V 2P+E Universal socket

Dimension: 350 (L) x 66 (W) x 42 (H)/mm



PDB-L1501D

5 Way Linear Distribution Box with Voltmeter

Input: 1 x 20A Neutrik PowerCon

Output: 1 x 20A Neutrik PowerCon

Output: 5 x 20A 250V 2P+E Universal socket

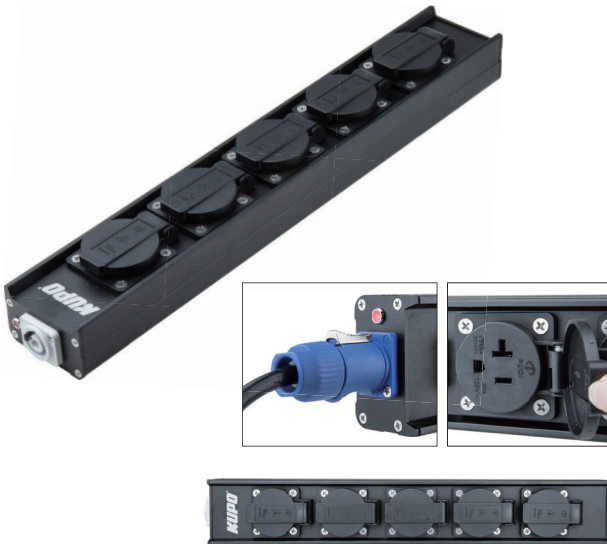
Dimension: 395 (L) x 66 (W) x 42 (H)/mm



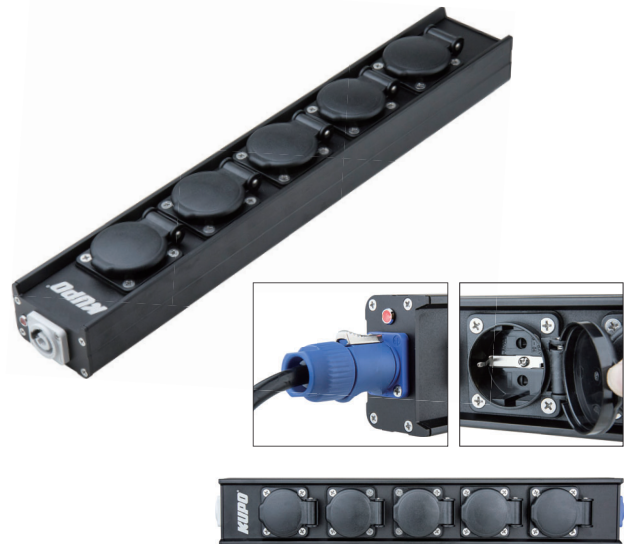
PDB-L1603
 6 Way Linear Distribution Box with Voltmeter
 Input: 1 x 10A IEC male socket
 Output: 6 x NEMA 5-15 Edison outlets
 Dimension: 326(L) x 66(W) mm x 42(H)/mm



PDB-L1604
 6 Way Linear Distribution Box with USB Charger
 Input: 1 x 10A IEC male socket
 Output: 6 x NEMA 5-15 Edison outlets
 Dimension: 326(L) x 66(W) mm x 42(H)/mm



PDB-L1504D
 5 Way Linear Distribution Box with power indicators
 Input: 1 x 20A Neutrik PowerCon
 Output: 1 x 20A Neutrik PowerCon
 Output: 5 x 20A 125V NEMA 5-20 outlets
 Dimension: 430(L) x 66(W) X 50 (H)/mm



PDB-L1505D
 5 Way Linear Distribution Box with power indicators
 Input: 1 x 20A Neutrik PowerCon
 Output: 1 x 20A Neutrik PowerCon
 Output: 5 x 16A SCHUKO outlets
 Dimension: 430(L) x 66(W) X 50 (H)/mm



PDB-L1506D
 5 Way Linear Distribution Box with power indicators
 Input: 1 x 20A Neutrik PowerCon
 Output: 1 x 20A Neutrik PowerCon
 Output: 5 x 15A AS/NZS 3112 outlets
 Dimension: 430(L) x 66(W) X 50 (H)/mm



PDB-L1502D

5 Way Linear Distribution Box with USB Charger

Input: 1 x 20A Neutrik PowerCon
 Output: 1 x 20A Neutrik PowerCon
 Output: 5 x 20A 250V 2P+E Universal socket
 Dimension: 410 (L) x 66 (W) x 42 (H)/mm



PDB-L1801

8 Way Linear Distribution Box with Voltmeter

Input: 1 x 20A Neutrik PowerCon
 Output: 8 x 20A Neutrik PowerCon
 Dimension: 335 (L) x 66 (W) x 42 (H)/mm



stainless steel screws



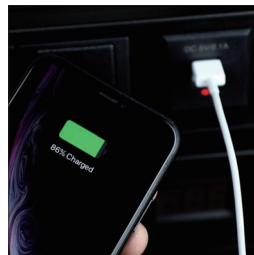
Formed of extruded aluminum alloy with hard anodized surface treatment. Robust, lightweight, and excellent electrical insulation.



A built-in voltmeter, taking 90-240VAC and giving clear display of working voltage, helps to reduce the damage from mains misconnection.



19" rack mountable module available. Making build-up or add-on easier for greater power distribution.



Mobile phone friendly! DC5V/2.1V USB charger supports the electric supply for your smart phone and devices.

Compact and rugged finish. This streamliner distribution box is made of aluminum alloy extrusion, making it slim yet great toughness character. Designed for the need with max 20A power consumption. Extremely lightweight and takes much less storage space. Built up with cUL-listed turn-n-lock Powerlead connector and compatible with the other brands. Four outputs per each unit.



Compact & Slim Profile



Compatible with Neutrik PowerCon True1

PDB-L1401

4 Way Linear Distribution Box

Powerlead power distro box, 4 outputs, max. 20A (compatible with Neutrik PowerCon).
 Input: 1 x 20A Powerlead (Neutrik PowerCon compatible)
 Output: 4 x 20A Powerlead (Neutrik PowerCon compatible)
 Dimension: 170(L) x 44(W) x 65(H)/mm

PDB-L1402

4 Way Linear Distribution Box

Powerlead T1 power distro box, 4 outputs, max 16A (compatible with Neutrik PowerCon True1).
 Input: 1 x 16A Powerlead T1 (Neutrik PowerCon True1 compactible)
 Output: 4 x 16A Powerlead T1 (Neutrik PowerCon True1 compactible)
 Dimension: 204(L) x 44(W) x 65(H)/mm

The robust chassis is fabricated with high tensile aluminum extrusion with black anodized finish. Mylar film completely wraps around the inner soldering area for best insulation. Soldered with 2.5mm silicon wire secures higher working current capacity. Assembled with 20A lockable socket, and compatible with original Neutrik Powercon connectors.



PDB-11JB Power Junction Box

KUPO Power Distro Rubber Box

Made of rubber cubic box featuring sturdy and robust housing. This range of distro boxes are fabricated with cUL-listed 20A powerlead receptacles, as well as CE-compliant 16A or 32A CEE form receptacles. The boxes are made with 6 outlets for the greatest electric utility. Outlet panel is equipped with rubber cap rest so that the CEE form connector cover can hook on it without slip. Fully insulated, flame-retarded and UV resistant.



PDB-C1601 Power Distro Box
6 powerlead outputs, max. 16A



PDB-C1601D Power Distro Box
6 powerlead outputs, max. 16A, with CEE form 16A output.



PDB-C1602 Power Distro Box
6 powerlead outputs, max. 32A



PDB-C1602D Power Distro Box
6 powerlead outputs, max. 32A, with CEE form 32A output.



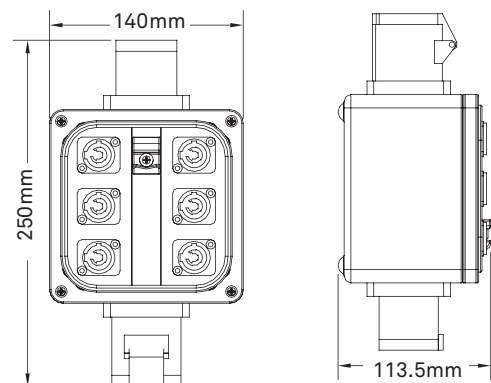
PDB-C1603 Power Distro Box
6 powerlead outputs, max. 20A



PDB-C1603D Power Distro Box
6 powerlead outputs, max. 20A, with Soca 19pin output.



Rubber cap rest for the lid of connector to hook up while connectors are coupling.

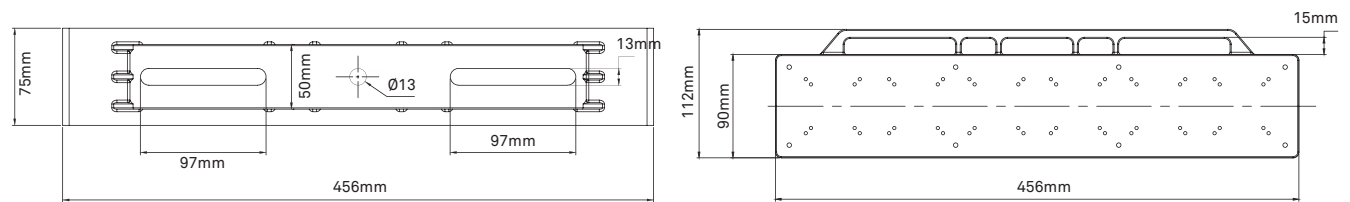
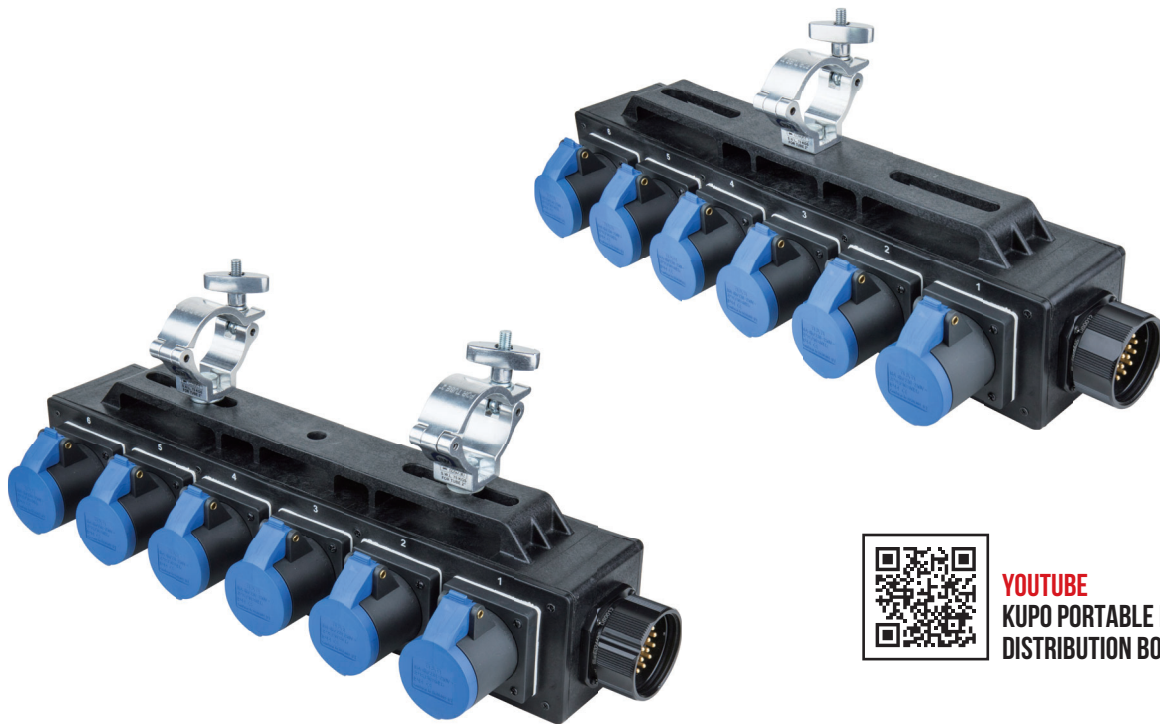


KUPO Power Distro PA Box

Electricity is the fundamental element and source to the lights. Stable and reliable distribution of power plays an important role in a successful lighting performance. Kupo's plastic power distribution is constructed of PA material which offers excellent insulation, impact-resistance and flame-retarded features. With in-house bracket structure, it can be diversely attached to the truss or tube with combination of clamps. Other than rigid PA material, this box is also fabricated with quality connectors, and assembled through experienced craftsmanship, which ensures the durability and reliability.

Features

- Dual handle slots allow flexible movement of couplers.
- Central aperture on handle for single coupler provides attachment to truss easily.
- Rectangle and less bulky shape accesses to truss with no efforts.
- Perforation slots for the convenience of CEE and Schuko positioning.
- Black CEE and Schuko meet the low-key and professional requirement.
- Blue lid of CEE connector gives the clear identification of AC/220Vac 16 Amp.
- Embedded screw nut gives great convenience protection while assembling the box by screws.



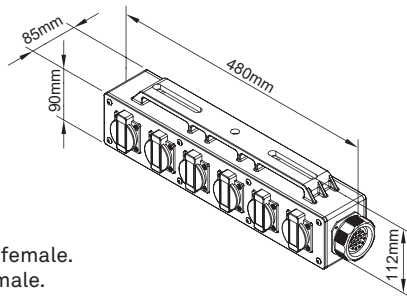
Embedded nut makes the assembling with screw effortlessly.



Dual handle slots allow flexible movement of couplers.



Perforation pattern for easily positioning.

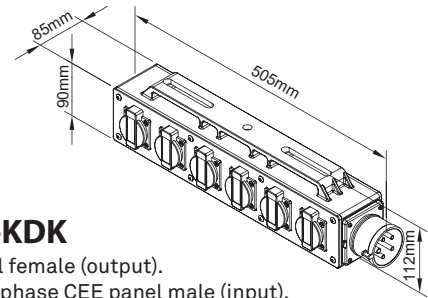


PDB-P003

6 x Schuko panel female.
1 x 19-pin panel male.

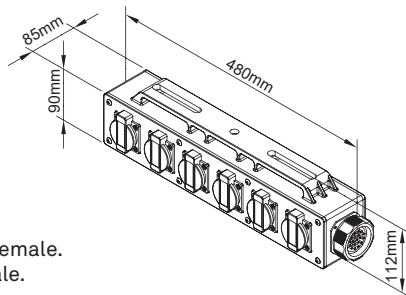
PDB-P003D

Extra 1 x 19-pin panel female.



PDB-P003-KDK

6 x Schuko panel female (output).
1 x 32A 5P three phase CEE panel male (input).
L1->channel 1 & 2.
L2->channel 3 & 4.
L3->channel 5 & 6.

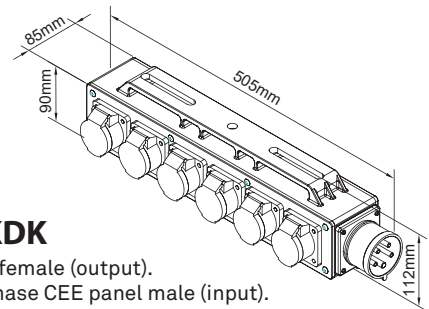


PDB-P004

6 x CEE 16A panel female.
1 x 19-pin panel male.

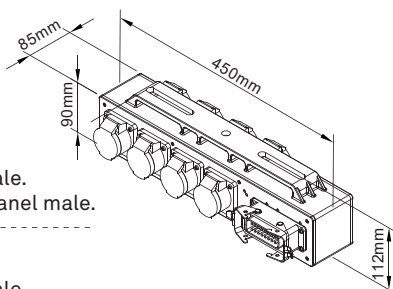
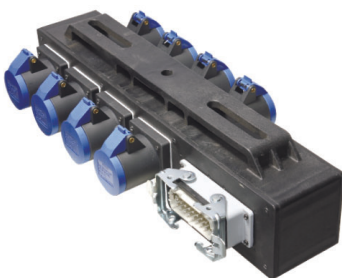
PDB-P004D

Extra 1 x 19-pin panel female.



PDB-P004-KDK

6 x CEE 16A panel female (output).
1 x 32A 5P three phase CEE panel male (input).
L1->channel 1 & 2.
L2->channel 3 & 4.
L3->channel 5 & 6.



PDB-P005

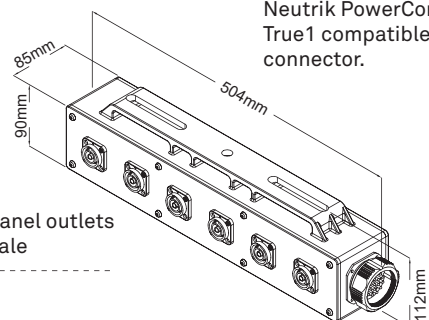
8 x CEE 16A panel female.
1 x Multi-pole 16-pin panel male.

PDB-P005S

4 x CEE 16A panel female.
1 x Multi-pole 10-pin panel male.



For Powerlead T1 or Neutrik PowerCon True1 compatible connector.



PDB-P008

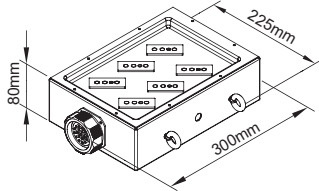
6 x Powerlead T1 panel outlets
1 x 19-pin panel male

PDB-P008D

Extra 1 x 19-pin panel female

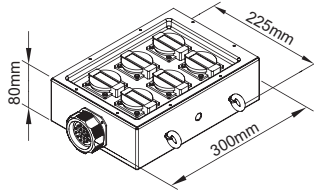
KUPO Power Distro Metallic Box

KUPO metal power distribution boxes feature 1.2 mm-thick steel-sheet construction for rugged durability. A recessed front panel protects each connector from impact, while two standard suspension rings simplify truss rigging. Each side also provides an auxiliary clamp hole for mounting in tight or constrained spaces. KUPO offers a broad range of configurations, with further variations available upon request.



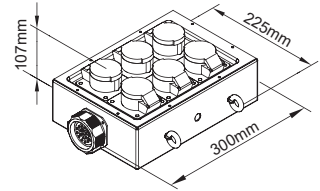
PDB-001

6 x Stage 3-pin panel female
1 x 19-pin panel male



PDB-003

6 x Schuko panel female
1 x 19-pin panel male



PDB-004

6 x CEE 16A panel female
1 x 19-pin panel male

PDB-001D

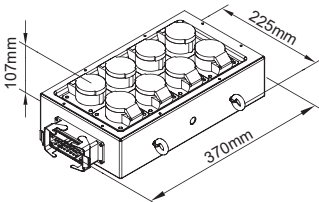
Extra 1 x 19-pin panel female

PDB-003D

Extra 1 x 19-pin panel female

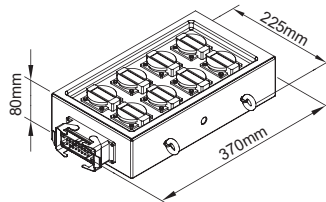
PDB-004D

Extra 1 x 19-pin panel female



PDB-005

8 x CEE 16A panel female
1 x Multi-pole 16-pin panel male



PDB-006

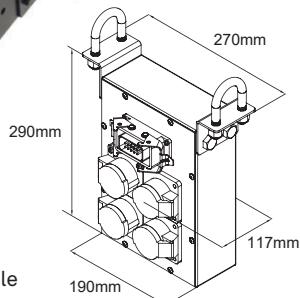
8 x Schuko panel female
1 x Multi-pole 16-pin panel male

PDB-005D

Extra 1 x Multi-pole 16-pin panel female

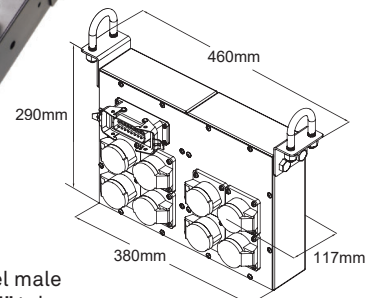


**CUSTOM DESIGN
AVAILABLE**



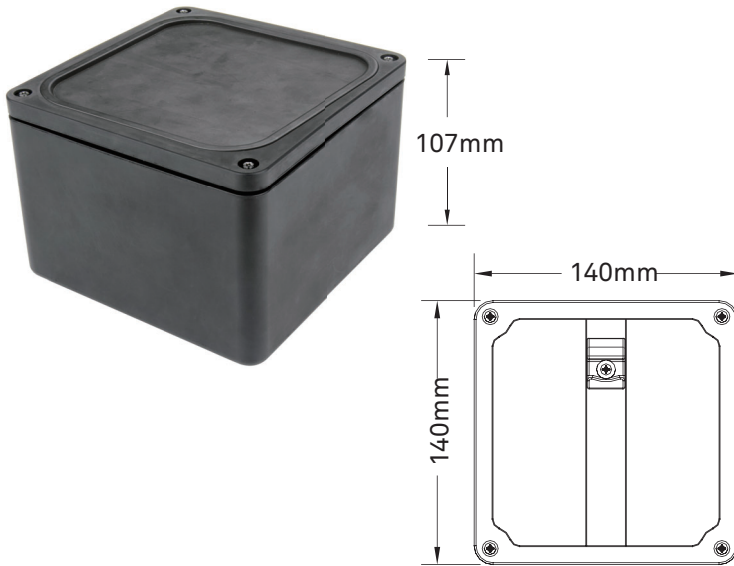
PDB-CH01

- 4 x CEE 16A panel female
- 1 x Multi-pole 10-pin panel male
- 2 x Hanging bracket for 1.5" tube
(bracket for other size of tube is available)



PDB-CH02

- 8 x CEE 16A panel female
- 1 x Multi-pole 16-pin panel male
- 2 x Hanging bracket for 1.5" tube
(bracket for other size of tube is available)



Bottom with X support enhances the durability.



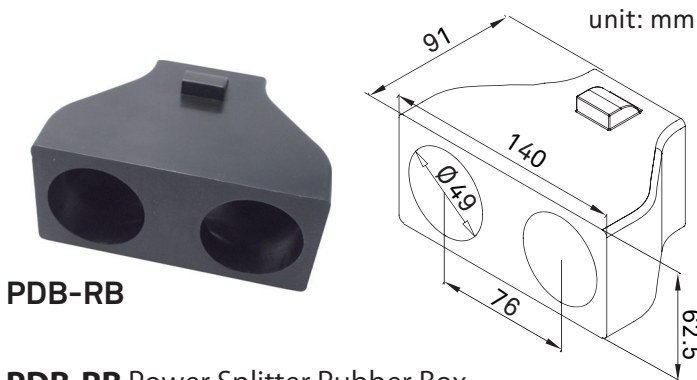
Lid rest can be added for resting the lid of female CEE form connector.

Footpad uphold the upright stability.

PDB-RCB Rubber Cubic Box

Molded of hard rubber, this cubic and robust box features fully insulated, impact-proof, water and corrosion resistance. Silicon O ring keeps the lid tightly attached to main housing. Corner is rounded to prevent the damage over sharp bumps. On the bottom are four footpads for upright application. One side of lid is grooved slightly in the central so that it can accommodate the lid rest for resting CEE form connector cover when it is made to be a power distribution box. Flame-retarded and UV resistance.

It is molded of sturdy rubber fully insulated, providing shock, impact, corrosion and weather resistance, and feasible for using with 19-pin, CEE and other connectors. Durable and Portable. Compact size allows truss access and standing foots for floor application. The hooking strut is for firm hook up with CEE protection cap.



PDB-RB

PDB-RB Power Splitter Rubber Box

Box (with 12 screws)

PDB-19PRB Power Splitter Rubber Box

Box with 1 x PLS-5219SM and 2 x PLS-5219SF Sockets

PDB-16CRB Power Splitter Rubber Box

Box with 1 x 16A CEE Male and 2 x Female Sockets



PDB-19PRB

PDB-16CRB

Footpad helps with stabilization



Lid rest for the CEE female connector.



PDB-16HBK Splitter Rubber Box

Rubber Splitter Box with 16pin Multiple connector, and 8 x 1.2M outlets (each outlet consists of 3x2.5mmsq H07RN-F cable with 16A CEE line female connector) 8 x CEE outlets with 16-pin connector input. Splitter Rubber Box with 8 x 3C, 2.5 mmsq cable 1.2 meters.

