

Powerlead T1 Connector

Powerlead T1 is single phase power connector certified with breaking capacity (CBC) according to IEC 60320-1, featuring the capability to be connected or disconnected under load or live. The twist-and-lock design ensures the mating engagement with the greatest security. It is rated 16A and IP65 waterproof. Reliable and suitable for LED fixture and abundant need of power supply in entertainment.



Technical Information

- Contact resistance: $\leq 3 \text{ m}\Omega$
- Dielectric strength: 4kVdc
- Insulation resistance: $> 0.1 \text{ G}\Omega$
- Rated current per contact: 16A
- Rated voltage: AC250V
- Temperature range: -30°C to $+80^\circ\text{C}$
- Max wire size: 12AWG / 2.5mm²
- 94V-0/HB flame-retarded grade
- IP65 dustproof and waterproof
- Compliance with ENEC / IEC 60320-1

Features

- Connector with breaking capacity (CBC), designed to be engaged or disengaged in normal use when live or under load.
- ENEC 16 certified with IEC 60320-1
- Single phase 16A / 250V
- Screw push-pull copper block stamping piece contact body structure.
- PE pin priority connection structure.
- IP65 dustproof and waterproof when mated.
- With in-line male and female mating directly.



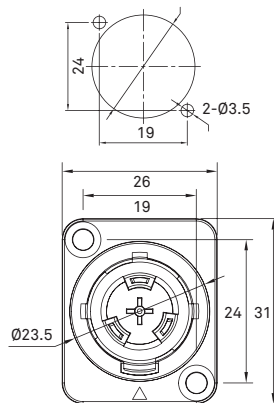
PL-3MXW Line Male

For cable diameter 8.5-11, or 12-15mm



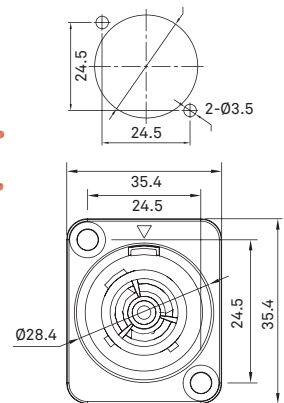
PL-3FXW Line Female

For cable diameter 8.5-11, or 12-15mm



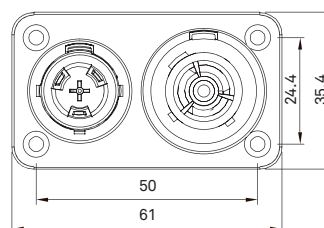
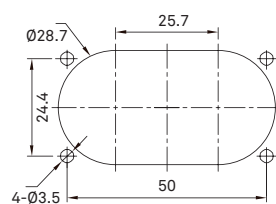
PL-3MPX Panel Male

Fixing hole: 19 x 24mm, Size: 26 x 31mm



PL-3FPX Panel Female

Fixing hole: 24.5 x 24.5mm, Size: 35.4 x 35.4mm



PL-3PX Panel Male & Female

Fixing Hole: 50 x 24.4mm, Size: 61 x 35.4mm



Powerlead Connector

Powerlead is 20A/250Vac rated single phase AC power connector, featuring twist-and-lock engagement with greatest security. It is UL listed and made with high standard to fulfill the rigorous criteria in the entertainment industry. Ideal for LED fixture as power source. POWERLEAD is compatible with major brand of the likes.

Features

- Non-interchangeable and color-coded, ensuring mistake-proof connection system. Blue for power-in, and grey for power-out .
- Contact with one micro silver-plated for excellent electric conductivity.
- Metal flange on the slot fixity to avoid any fray.
- Reinforced thermoplastic forms the housing for the robust and maximum durability, and UL94V-HB flame-retardant meets safety requirements.
- Ergonomic latch for handy use with less effort and ensure the firm lock .
- T-type thread on inner side of rear cap enhance the rotary tightened for slip free.
- Hexagonal-shaped rear cap for operation with bare hand or a wrench, rubber bushing fits wide range of cable and provides outstanding environment protection.



Electrical

Contact resistance: $\leq 3 \text{ m}\Omega$ / Dielectric strength: 4 kVdc / Insulation resistance: $> 0.1 \text{ G}\Omega$ (after damp heat test IEC 68-2-30) / Rated current per contact: 20 A / Rated voltage: 250 V

Environmental

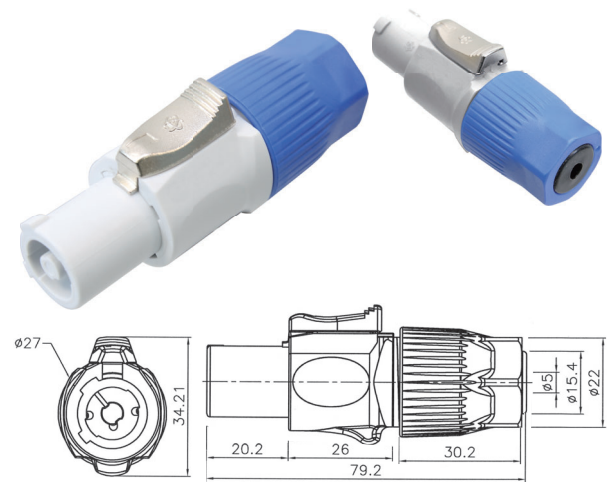
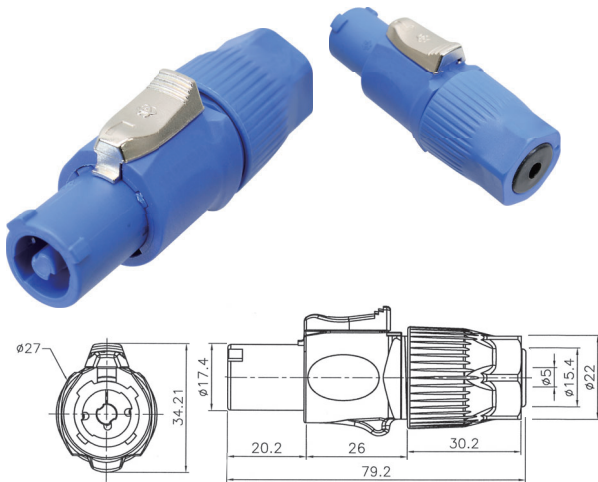
Solderability: Complies with IEC 68-2-20
Temperature range: $-30 \text{ }^\circ\text{C}$ to $+80 \text{ }^\circ\text{C}$

Material

Bushing: Polyamide (PA6 15% GF) / Contact plating: $4 \text{ }\mu\text{m Ag}$ / Contacts: Bronze (CuSn6)
Insert: Polyamide (PA6 30 % GF) / Locking element: Zinc diecast (ZnAl4Cu1) / Shell: Polyamide (PA6 30 % GF) / Strain relief: POM

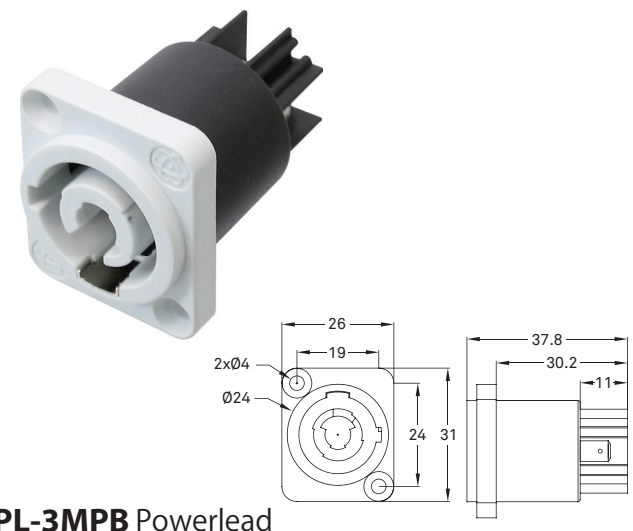
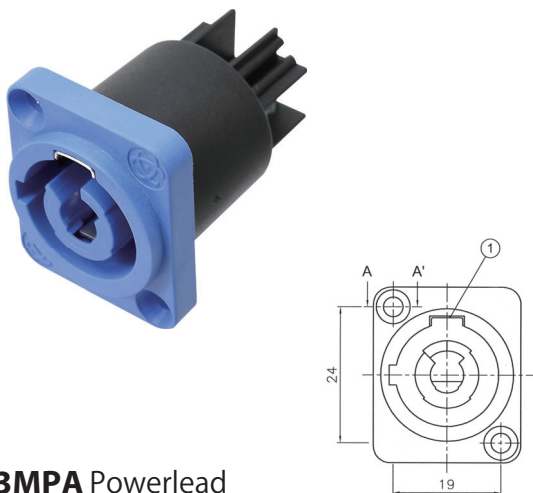
Mechanical

Cable O.D.: 5 - 15 mm
Lifetime: > 1000 mating cycles
Wire size: 2.5 mmsq / 14 AWG



PL-3FCA Powerlead

PL-3FCB Powerlead



PL-3MPA Powerlead

PL-3MPB Powerlead