

Bottom with X support enhances the durability.



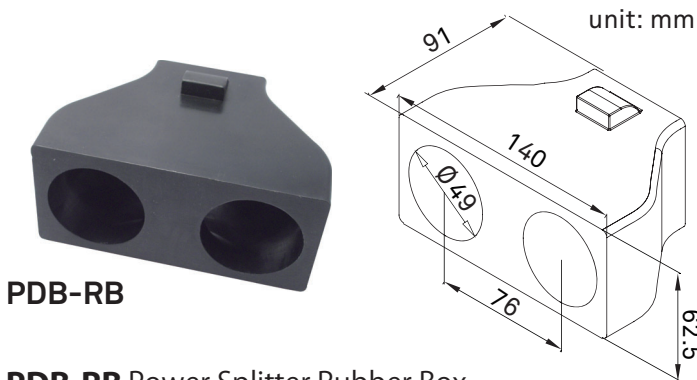
Lid rest can be added for resting the lid of female CEE form connector.

Footpad uphold the upright stability.

PDB-RCB Rubber Cubic Box

Molded of hard rubber, this cubic and robust box features fully insulated, impact-proof, water and corrosion resistance. Silicon O ring keeps the lid tightly attached to main housing. Corner is rounded to prevent the damage over sharp bumps. On the bottom are four footpads for upright application. One side of lid is grooved slightly in the central so that it can accommodate the lid rest for resting CEE form connector cover when it is made to be a power distribution box. Flame-retarded and UV resistance.

It is molded of sturdy rubber fully insulated, providing shock, impact, corrosion and weather resistance, and feasible for using with 19-pin, CEE and other connectors. Durable and Portable. Compact size allows truss access and standing foots for floor application. The hooking strut is for firm hook up with CEE protection cap.



PDB-RB

PDB-RB Power Splitter Rubber Box

Box (with 12 screws)

PDB-19PRB Power Splitter Rubber Box

Box with 1 x PLS-5219SM and 2 x PLS-5219SF Sockets

PDB-16CRB Power Splitter Rubber Box

Box with 1 x 16A CEE Male and 2 x Female Sockets



PDB-19PRB

PDB-16CRB

Footpad helps with stabilization

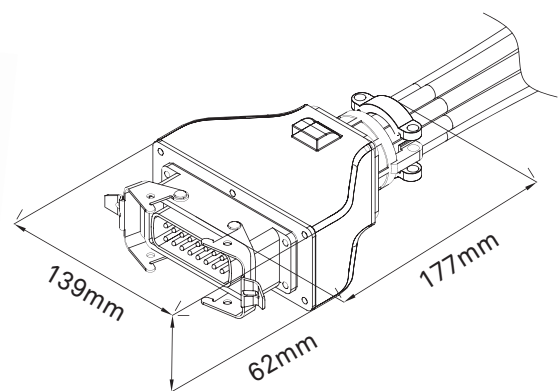


Lid rest for the CEE female connector.



PDB-16HBK Splitter Rubber Box

Rubber Splitter Box with 16pin Multiple connector, and 8 x 1.2M outlets (each outlet consists of 3x2.5mmsq H07RN-F cable with 16A CEE line female connector) 8 x CEE outlets with 16-pin connector input. Splitter Rubber Box with 8 x 3C, 2.5 mmsq cable 1.2 meters.



KUPO Power Distro PA Box

Y-Cord or Twofers, are cabling device used in theatrical stage lighting. It allows two stage lighting instruments to be connected to one dimming channel. Never having cumbersome for jamming two wires into a single connector. Kupo Y-Splitters are constructed with two layers. The inner core is PVC injection-molding, offering great tensile force while the outer is rubber molding cover with excellent impact-absorbency. The mold-in extension is H07RN-F rubber cables (overall length 1M) with fire retardant and oil resistant specs. It is wired in parallel or series.



YS-2.5



YS-2.5-CEE



YS-2.5/S-CEE



**YOUTUBE
Y SPLITTER
(TWOFER)**



YS-4.0



YS-4.0-CEE



Parallel / Series sticker mark with transparent heat-shrink sleeve identify the wirings clearly.

Part Number	Description
YS-2.5	Y Splitter, 3 x 2.5mmsq rubber cable, length 1M, parallel wired
YS-2.5/S	Y Splitter, 3 x 2.5mmsq rubber cable, length 1M, series wired
YS-2.5-CEE	Y Splitter, 3 x 2.5mmsq rubber cable, length 1M, parallel wired with 16A CEE form connectors
YS-2.5/S-CEE	Y Splitter, 3 x 2.5mmsq rubber cable, length 1M, series wired with 16A CEE form connectors
YS-4.0	Y Splitter, 3 x 4.0mmsq rubber cable, length 1M, parallel wired
YS-4.0-CEE	Y Splitter, 3 x 4.0mmsq rubber cable, length 1M, parallel wired with 32A CEE form connectors

Note: Parallel is a consistent voltage in circuit, and current is shared between the two instruments. The series wired, the current through each of the lighting instruments is the same, and the voltage across the lighting instruments is the sum of the voltages across each lighting instruments.

3-Phase Y-Splitter fan-out cable set is taking three phase power and making three single phase outlets. It is fabricated with two layers. The inner core is PVC injected molding with internally wired, offering great tensile force. The outer is rubber molding cover with excellent impact-absorbency and insulation. This Y splitter is embossed with identification marks showing where each of phase is going. Molded with H07RN-F rubber cables for fire retardant and oil resistant.



YS-16331

3-Phase Y Splitter, fan-out to three single phase, length 1M



YS-16331-CEE

3-phase Y splitter to three single phase, length 100cm, parallel wired with 16A CEE connectors

Specification

- Input cable: 5 x 2.5mmsq H07RN-F
- Output cable: 3 x 2.5mmsq H07RN-F
- Clear phase identification for each outlet cable
- Overall length 100cm (without connector)



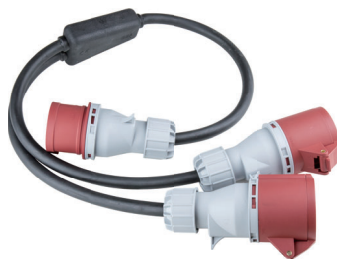
**YOUTUBE
THREE-PHASE
Y SPLITTER
(TWOFER)**

This is three phase fan-out Y cable set for max. 32A capacity in total. Fabricated of PVC inner layer with rubber molding outside, it has excellent performance in insulation and impact absorbency. Molded with 5 core x 4.0mmsq H07RN-F rubber cable for fire retarded and oil resistant.



YS-32323

3-phase Y splitter, fan out to two three phase, length 1M, parallel wired



YS-32323-CEE

3-phase Y splitter, fan out to two three phase, length 1M, parallel wired with 32A CEE form connectors

Specification

1. Max. 32A (415V) three phase Y splitter
2. Input cable: 5 x 4.0mmsq H07RN-F
3. Output cable: 5 x 4.0mmsq H07RN-F
4. Overall length 100cm (without connector)

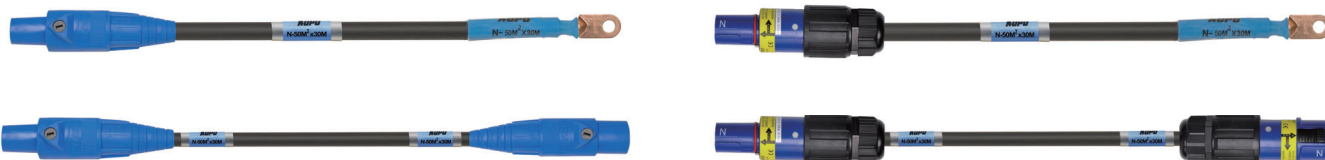
KUPO Power Cable

Flexible power cables covering 16–400 A, offered as single-core feeders and multi-core constructions for portable power distribution or fixed installations. Built with fine-stranded copper for high flexibility and low DC resistance, they use PVC insulation and a durable PVC outer sheath for easy stripping, smooth cable-gland fit, and stable coiling. All cables are rated 600 V; single-core IV versions are rated to 105 °C, while multi-core versions are rated to 60 °C. Support a tight bend radius, consistent OD tolerances, clear conductor identification, and rugged jackets designed for repeated handling in industrial and event environments.

Specification

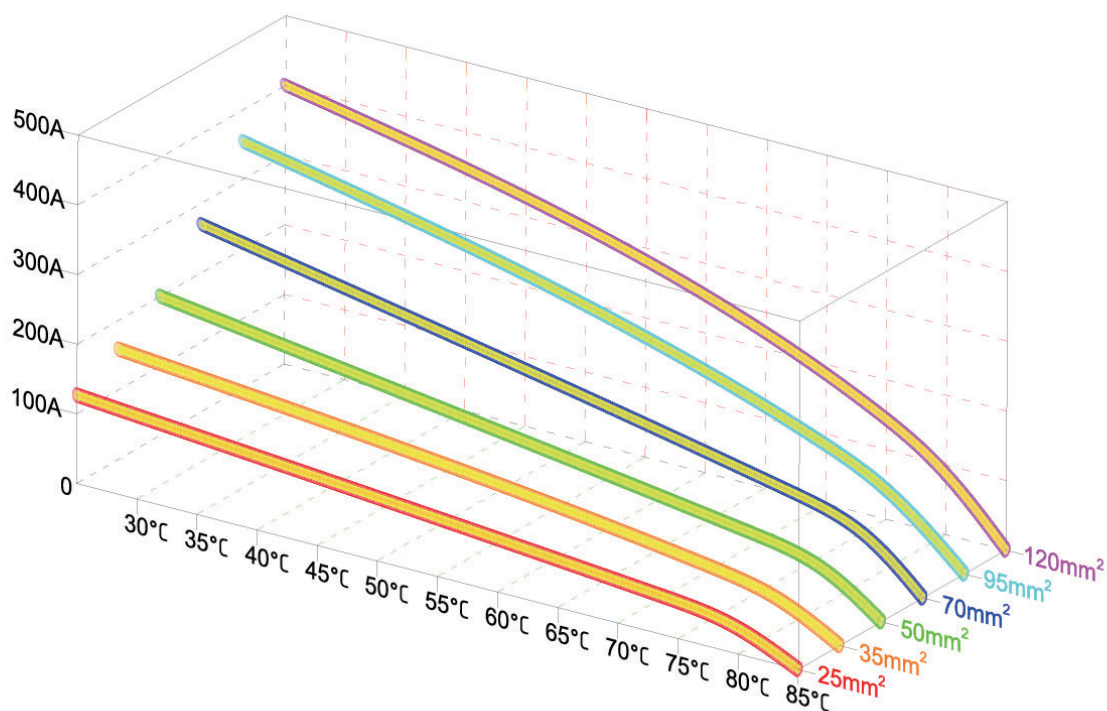
Single-core (IV), 105 °C, PVC

Item	Cross-section	Jacket (mm)	OD (mm)	Approx. ampacity (A)	Max R (Ω/km) at 20 °C
KCWPVC1x100	100 mm ²	2.30	18.6	380	0.19
KCWPVC1x80	80 mm ²	2.30	18.1	320	0.24
KCWPVC1x38	38 mm ²	2.15	13.0	200	0.50
KCWPVC1x30	30 mm ²	2.00	11.4	165	0.60
KCWPVC1x22	22 mm ²	1.65	10.3	145	0.90
KCWPVC1x14	14 mm ²	1.20	7.5	105	1.40



Multi-core (CSA), 60 °C, PVC

Item	Size × cores	Jacket (mm)	OD (mm)	Approx. ampacity (A)	Max R (Ω/km) at 20 °C
KCWPVC3x14	14 mm ² × 3C	1.20	20.0	63	1.43
KCWPVC4x14	14 mm ² × 4C	1.20	22.0	63	1.43
KCWPVC3x5.5	5.5 mm ² × 3C	1.00	14.2	32	6.10
KCWPVC4x5.5	5.5 mm ² × 4C	1.00	15.6	32	6.10
KCWPVC5x5.5	5.5 mm ² × 5C	1.00	16.5	32	6.10

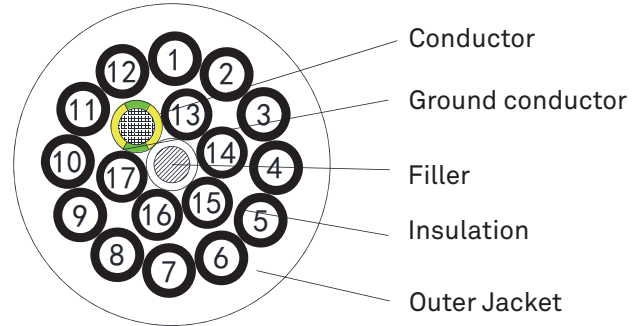


MULTI-CORE 18 CABLE

Designed for portable entertainment rigs. This lightweight yet heavy-duty cable is designed to support six-circuit power distribution and repeated load-in/out cycles. A self-extinguishing, flame-retardant PVC jacket and high abrasion resistance protect against wear, while fine-stranded conductors keep it highly flexible, even in low temperatures. Engineered to withstand mechanical stress, it delivers stable, low-loss power and control transmission with the professional reliability required for critical indoor use.

Cable Model

18-Core Cable with PVC Insulation and PVC Outer Jacket



KHPC18x2.5

Cross Section	18 x 2.5 mmsq (≈14 AWG)
Conductor (Cores)	Stranded copper class 5 of IEC 60228
Conductor Stranding	48 stranding x 0.25mm copper
Insulation	PVC compound, self-extinguishing, flame-retardant (IEC 60332-3-24)
Filler	PVC
Rated Voltage (Uo/U)	300/500 V
Test Voltage	2000V for 5 minutes to IEC 60227
Bend Radius	Portable Use: 12 x OD Fixed Installation Use: 8 x OD
Working Temperature	-15°C ~70°C
Marking	KUPO 18x2.5mm 300/500V 70 DEGREE C CE
Compliance	IEC 60502-1 IEC 60228 IEC 60332-3-24 (Flame Retardant) RoHS
Max R (Ω/km)	7.98 Ω/km @ 20°C
Outer Diameter (mm)	20.4 +/- 0.5

Multi-cable Extension



EXE18/2.5-5 Cable Assembly (5M)
EXE18/2.5-10 Cable Assembly (10M)
EXE18/2.5-20 Cable Assembly (20M)
EXE18/2.5-30 Cable Assembly (30M)
 18C x 2.5 mmsq multi-cable, PLS-5219LM+PLS-5219LF

Multi-cable Extension



TF18/2.5-1 Cable Assembly (1M)
TF18/2.5-2 Cable Assembly (2M)
 18C x 2.5 mmsq multi-cable, PLS-5219LM+2 PLS-5219LF

KUPO Break-out/ Break-in Cable Assembly

Break-out or break-in cable set is assembled with superior H07RN-F cable. Made of special cross-linked elastomer for excellent insulation. Great suppleness offering better resistance to inclement environmental condition to oils and greases, as well as adverse chemicals and thermal effects. In accordance with RoHS and IEC/EN 60332-1-2 standard. Ideal for installation on equipment in continual and interrupted operation under aggressive condition such as construction site vehicles, generator, pumps and other most extreme and severe usage industry applications. Break-in(fan-in)is also available upon request.

- Working Voltage: 450 / 750V
- Working Temperature: -30°C / +60°C (max. conductor temperature in service +85°C)



Cable: H07RN-F 3x1.5mmsq or 2.5mmsq
Connector: 19pin (input) / CEE 16A (output)



Cable: H07RN-F 3x1.5mmsq or 2.5mmsq
Connector: 19pin (input) / Stage Pin 20A (output)



Cable: H07RN-F 3x1.5mmsq or 2.5mmsq
Connector: 19pin (input) / Powerlead 20A (output)



Cable: H07RN-F 3x1.5mmsq or 2.5mmsq
Connector: 19pin (input) / Powerlead T1 20A (output)



Cable: H07RN-F 3x1.5mmsq or 2.5mmsq
Connector: 19pin (input) / Schuko 13A (output)

KUPO BK/BI Cable Ordering Code Structure

Type	Cable	Cable Length in Meter	Connector Type
BK = Break Out	3/1.5 = H07RN-F3x1.5mmsq	As Request	Stage Pin
BI = Break In	3/2.5 = H07RN-F3x2.5mmsq		SCHUKO
			CEE
			NEMA
			PLT1 = Powerlead T1
			PL = Powerlead
			W/ Bare End

KUPO Power Cable Assembly

We supply variety of power extension cable sets with the commonly used connectors in entertainment lighting industry including Stage Pin, Turn-lock, NEMA locking type, Schuko and CEE forms. Cable insulation varies from 105°rated PVC to H07RN-F neoprene rubber with UL or VDE certified and RoHS compliance. Flame-retarded, flattening and abrasion resistance.



Cable: H07RN-F 3 x 2.5mmsq
Connector: 16A 2P+E CEE form (110V)



Cable: H07RN-F 3 x 2.5mmsq
Connector: 16A 2P+E CEE form (230V)



Cable: H07RN-F 3 x 4.0mmsq
Connector: 32A 2P+E CEE form (230V)



Cable: H07RN-F 5 x 2.5mmsq, or PVC 4C x 14AWG
Connector: 16A 3P+E CEE form (380V)



Cable: H07RN-F 5 x 2.5mmsq, or PVC 4C x 14AWG
Connector: 32A 3P+N+E CEE form (380V)



Cable: H07RNF- 3 x 2.5mmsq
Connector: 16A Powerlead T1



Cable: H07RN-F 3 x 2.5mmsq
Connector: 20A Powerlead



Cable: H07RN-F 3 x 2.5mmsq
Connector: NEMA L5-20 or L6-20



Cable: H07RN-F 3 x 4.0mmsq
Connector: NEMA L5-30 or L6-30

KUPO Extension Cable Ordering Code Structure



Cable: H07RN-F 3 x 2.5mmsq
Connector: 20A 2P+E Stage Pin

Type	Cable	Cable Length in Meter	Connector Type
EXE = Extension Cable	1/100 = PVC Single Pole 100mmsq	As Request	150A K-LOK
	1/38 = PVC Single Pole 38mmsq		400A K-LOK
	3/1.5 = H07RN-F3x1.5mmsq		400A PowerFit
	3/2.5 = H07RN-F3x2.5mmsq		Socapex
	18/1.5 = PVC 18x1.5mmsq		Stage Pin
	18/2.5 = PVC 18x2.5mmsq		SCHUKO
			CEE
			NEMA
			Powerlead T1
			Powerlead

KUPO Multi-cable Roller

Rolling a cable can be easy, but rolling couple of dozens can be annoying. Multi-cable roller makes life easier. It is an easy-to-use gear to organize the cable set. With several steps of assembly, you can build it up and then roll different kinds of cable effectively. Take less effort, do a nice job, all you need to do is to run your cable set with this machine. Getting a great cable management done can be that simple.



CR-234 Multi-Cable Roller

Weight: 75 kgs
 Dimension: 110(L) x 105(W) x 148(H) cm
 Cable drums sizes: 20 / 30 / 40 cm
 Material: Cold rolled steel plate
 Power Input: 110VAC/60Hz, 220VAC/50Hz
 Power Consumption: 110V/6A, 220V/3A
 Roller Speed: 20 RPM



YOUTUBE
MULTI-CABLE ROLLER
(2021 NEW FEATURE)



20 / 30 / 40 cm
Adjustable cable drums.



Feasible for Power Extension Cable.



Feasible for SOCA Extension Cable.



Easy assembly with allen key wrench and other ordinary tools.



Collapsible support arm makes operation quick and easier.



Roller stops immediately whenever foot pedal disengaged.



It runs clockwise or counter-clockwise.



Feasible for Data extension cable.