

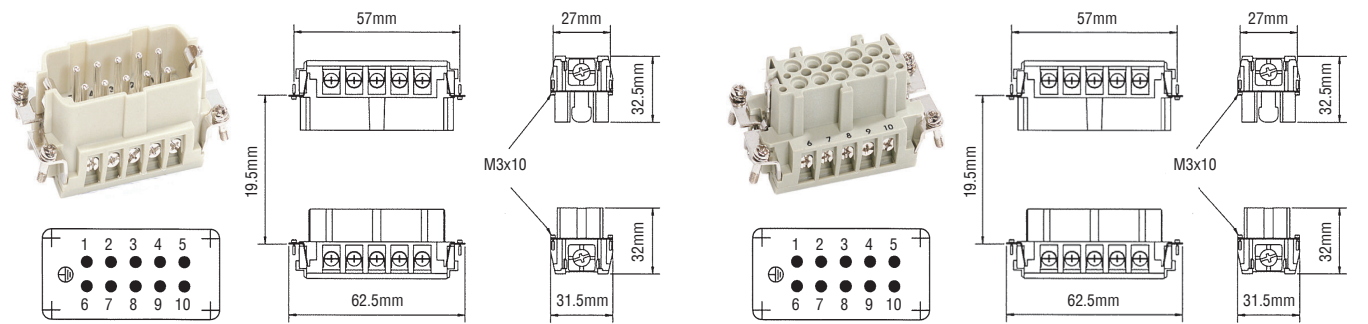
KUPO Multi-Pin Connectors

A reliable and versatile solution for various industrial applications, offer a rated voltage range of 400-600 V, meeting UL and CSA safety standards (UL 498 / CSA C22.2). The advantages of industrial connectors, such as their rugged construction, ability to withstand frequent setup and teardown, and capacity to handle high voltage, make them ideal for the demanding conditions of touring and entertainment environments.

In the entertainment sector, the 10-pin and 16-pin options are widely utilized, while additional contact configurations can be accommodated upon request.

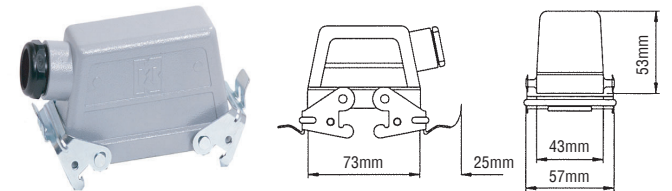
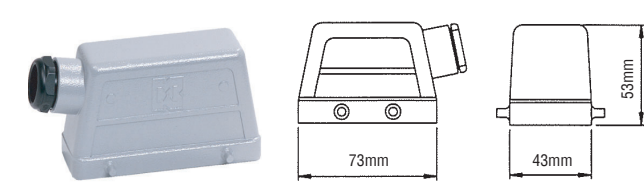


PBA16-1X (PG16)
PBA21-1X (PG21)
 Brass Cable Gland,
 PG16 / PG21 thread
 options (optional
 accessory).



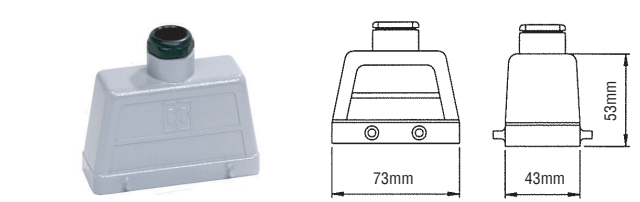
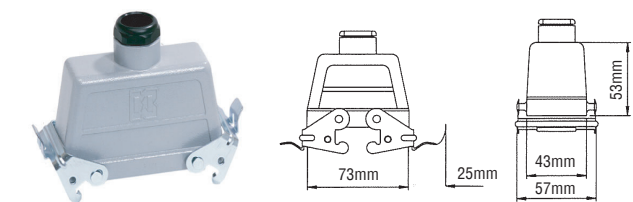
KM10M 10-Pin Plug Insert

KM10F 10-Pin Socket Insert



KM10U5 (PG16) Hood

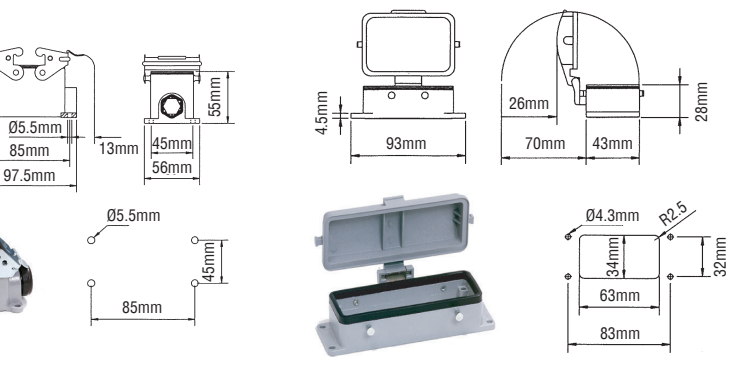
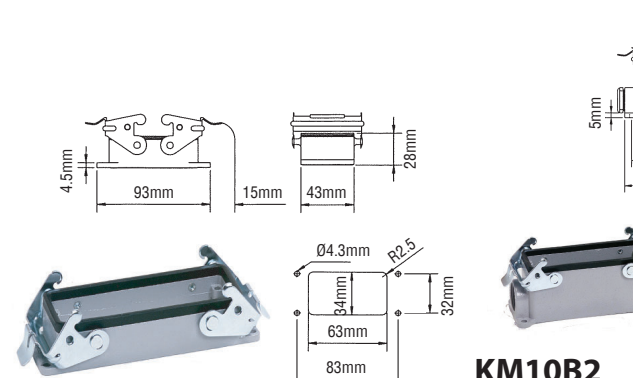
KM10U1 (PG16) Hood



KM10B1 Housing

KM10B2 Closed-Bottom Housing

KM10BC5 Housing with Cover

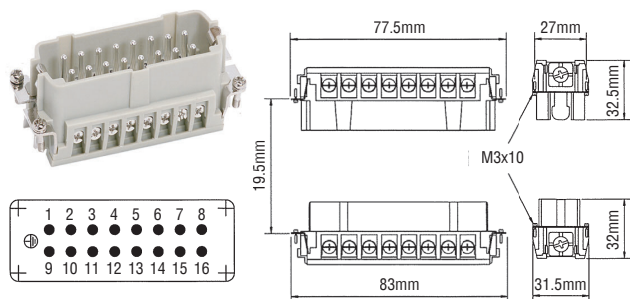


Technical Information

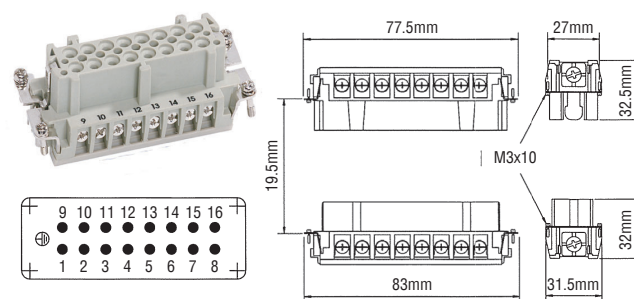
- Number of Contacts: 10, 16 (contact us for more info. of other contacts).
- Rated Voltage: 400-600 V, according to UL, CSA.
- Die Electric: 3KV/ 1Min.
- Volume Resistance: 1M/ 0hm.
- Temperature Range: -40~ +125 degree C.
- Protection Category: KM 06-KM48, P65 when mated.
- Cross Section: 0.5-2.5 mmsq.

Material Spec.

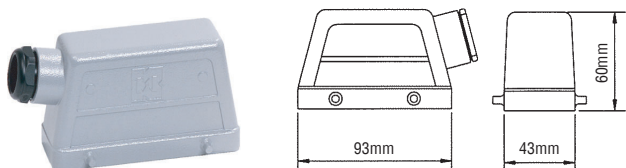
- Terminal Screws: steel M3 nickel plated.
- Protective Cover: KM06-KM24 Nylon 66.V-0; KM32-KM48 Aluminum.
- Die-Casting Alloy.
- Plug and Socket Insert: glass-fiber reinforced polycarbonate V-0.
- Contact Elements: copper alloy.
- Contact Surfaces: hard-silver plated.
- Earth Connector Part: brass nickel plated.
- Locking Levers: steel zinc plated.
- Pressing Lock-Nut: nylon 66. V-0.
- Gaskets: Neoprene (resistant to oil and aging).
- Hood and Housing: aluminum die-casting alloy.



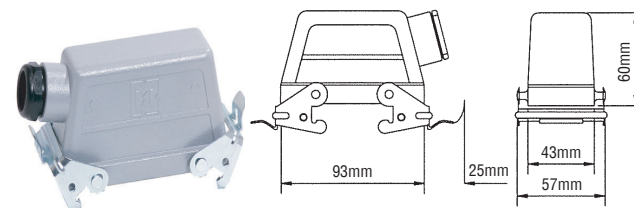
KM16M 16-Pin Plug Insert



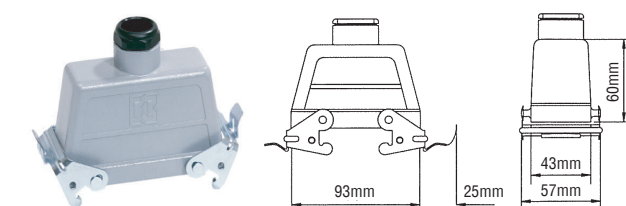
KM16F 16-Pin Socket Insert



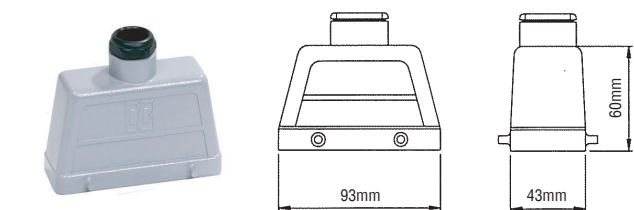
KM16H1 (PG21) Hood



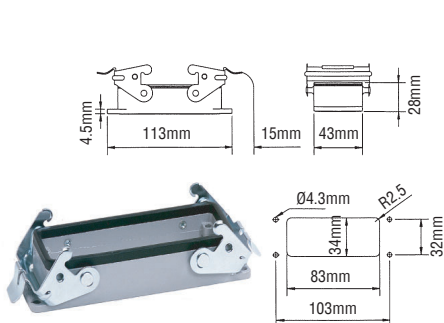
KM16H5 (PG21) Hood



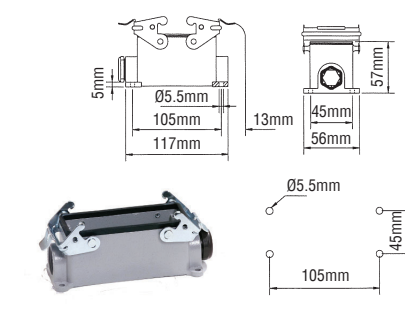
KM16U5 (PG21) Hood



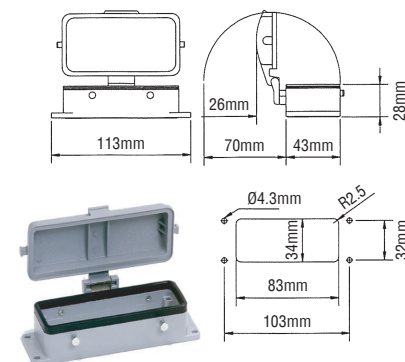
KM16U1 (PG21) Hood



KM16B1 Housing



KM16B2
Closed-Bottom Housing



KM16BC5 Housing with Cover