

Turn-Lok, Nema Locking Connector

TURN-LOK connectors are the choice for quality electrical demand. UL and cUL listed, and also made to comply with NEMA 20A and 30A configuration. It is constructed of sturdy Nylon, PBT (thermoplastic) and premium grade of copper alloy, ensuring the durability and reliability for power connection. Turn-Lok is available in both receptacles and plugs for voltage AC125/250V, and covering up the needs for single and three phase applications.

Specification

- Material: Nylon and PBT (thermoplastic) for line male and female; PBT only for socket receptacle.
- Terminals: 1.8mm Copper alloy for 30A line male/female, 1.6mm copper alloy for 20A line male / female, 1.2mm copper alloy for receptacle.
- Terminal screw: #10 screws bronze.
- Wire accommodation: AWG #12 wire (for 20A connectors) / AWG #10 wire (for 30A connectors).



Features

- Ribbed main body for firm and secure gripping.
- Constructed of PBT (thermoplastic) and Nylon for greater impact-resistance and insulation.
- Screw-type cord grip for maximum tightening force.



ATL-520LP Locking Plug

Pin: 3 / AMP: 20 / Voltage: 125
NEMA: L5-20P



ATL-620LP Locking Plug

Pin: 3 / AMP: 20 / Voltage: 250
NEMA: L6-20P



ATL-530LP Locking Plug

Pin: 3 / AMP: 30 / Voltage: 125
NEMA: L5-30P



ATL-630LP Locking Plug

Pin: 3 / AMP: 30 / Voltage: 250
NEMA: L6-30P



ATL-1420LP Locking Plug

Pin: 4 / AMP: 20 / Voltage: 125 / 250
NEMA: L14-20P



ATL-1430LP Locking Plug

Pin: 4 / AMP: 30 / Voltage: 125 / 250
NEMA: L14-30P



ATL-1520LP Locking Plug

Pin: 4 / AMP: 20 / Voltage: 250
NEMA: L15-20P



ATL-1530LP Locking Plug

Pin: 4 / AMP: 30 / Voltage: 250
NEMA: L15-30P



ATL-1620LP Locking Plug

Pin: 4 / AMP: 20 / Voltage: 480
NEMA: L16-20P



ATL-515P Inline Plug
Pin: 3 / AMP: 15 / Voltage: 125
NEMA: 5-15P



ATL-520P Inline Plug
Pin: 3 / AMP: 20 / Voltage: 125
NEMA: 5-20P



ATL-615P Inline Plug
Pin: 3 / AMP: 15 / Voltage: 250
NEMA: 6-15P



ATL-620P Inline Plug
Pin: 3 / AMP: 20 / Voltage: 250
NEMA: 6-20P



ATL-520C
Locking Cord Connector
Pin: 3 / AMP: 20 / Voltage: 125
NEMA: L5-20C



ATL-620C
Locking Cord Connector
Pin: 3 / AMP: 20 / Voltage: 250
NEMA: L6-20C



ATL-530C
Locking Cord Connector
Pin: 3 / AMP: 30 / Voltage: 125
NEMA: L5-30C



ATL-630C
Locking Cord Connector
Pin: 3 / AMP: 30 / Voltage: 250
NEMA: L6-30C



ATL-1420C
Locking Cord Connector
Pin: 4 / AMP: 20 / Voltage: 125 / 250
NEMA: L14-20C



ATL-1430C
Locking Cord Connector
Pin: 4 / AMP: 30 / Voltage: 125 / 250
NEMA: L14-30C



ATL-1520C
Locking Cord Connector
Pin: 4 / AMP: 20 / Voltage: 250
NEMA: L15-20C



ATL-1530C
Locking Cord Connector
Pin: 4 / AMP: 30 / Voltage: 250
NEMA: L15-30C



ATL-1620C
Locking Cord Connector
Pin: 4 / AMP: 20 / Voltage: 480
NEMA: L16-20C



ATL-515CF
Inline Connector
Pin: 3 / AMP: 15 / Voltage: 125
NEMA: 5-15C



ATL-520CF
Inline Connector
Pin: 3 / AMP: 20 / Voltage: 125
NEMA: 5-20C



ATL-615CF
Inline Connector
Pin: 3 / AMP: 15 / Voltage: 250
NEMA: 6-15C



ATL-620CF
Inline Connector
Pin: 3 / AMP: 20 / Voltage: 250
NEMA: 6-20C



ATL-1420FI
Locking Flange Inlet
Pin: 4 / AMP: 20 / Voltage: 125 / 250
NEMA: L14-20



ATL-1520FI
Locking Flange Inlet
Pin: 4 / AMP: 20 / Voltage: 250
NEMA: L15-20



ATL-1620FI
Locking Flange Inlet
Pin: 4 / AMP: 20 / Voltage: 480
NEMA: L16-20



ATL-1530FI
Locking Flange Inlet
Pin: 4 / AMP: 30 / Voltage: 250
NEMA: L15-30



ATL-1420FO
Locking Flange Outlet
Pin: 4 / AMP: 20 / Voltage: 125 / 250
NEMA: L14-20



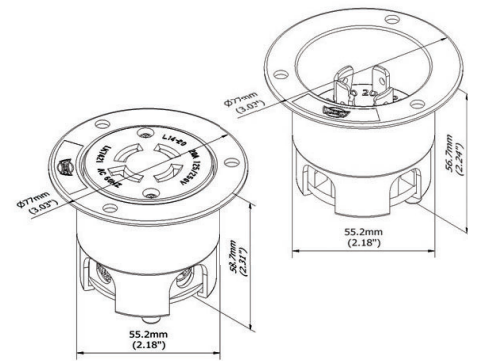
ATL-1520FO
Locking Flange Outlet
Pin: 4 / AMP: 20 / Voltage: 250
NEMA: L15-20



ATL-1620FO
Locking Flange Outlet
Pin: 4 / AMP: 20 / Voltage: 480
NEMA: L16-20



ATL-1530FO
Locking Flange Outlet
Pin: 4 / AMP: 30 / Voltage: 250
NEMA: L15-30



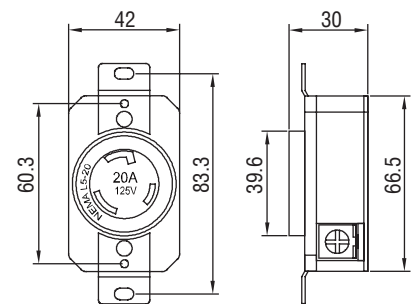
ATL-520R
Locking Receptacle
Pin: 3 / AMP: 20 / Voltage: 125
NEMA: L5-20R



ATL-620R
Locking Receptacle
Pin: 3 / AMP: 20 / Voltage: 250
NEMA: L6-20R



ATL-530R
Locking Receptacle
Pin: 3 / AMP: 30 / Voltage: 125
NEMA: L5-30R



ATL-630R
Locking Receptacle
Pin: 3 / AMP: 30 / Voltage: 250
NEMA: L6-30R



ATL-1420R
Locking Receptacle
Pin: 4 / AMP: 20 / Voltage: 125 / 250
NEMA: L14-20R



ATL-1430R
Locking Receptacle
Pin: 4 / AMP: 30 / Voltage: 125 / 250
NEMA: L14-30R

