

POWERFIT Connectors

PowerFit connectors are well fabricated and compatible with major brands of single-pole power connector. The innovative and patent key releasing pin, particularly embedded on each line source and panel source, delivers great safety and convenience without additional tool while uncoupling.

PowerFit is made in high standards. Full series employ high impact and temperature resistance thermoplastic, with flame retardant compound. Ergonomic rubber hand grip on each line connector provides the great comfort to the utility. The M40 cable gland comes standard and while connectors mated, it becomes IP67 rated. Unsurpassed pushing button design makes the handling of coupling and uncoupling easier. Respective phase and line information is clearly marked on the connectors for easy identification. The contact is made of brass with silver-plated, providing excellent conductivity. Cotter pin is made of POM featuring great insulation, high stiffness, low friction and absorbent.

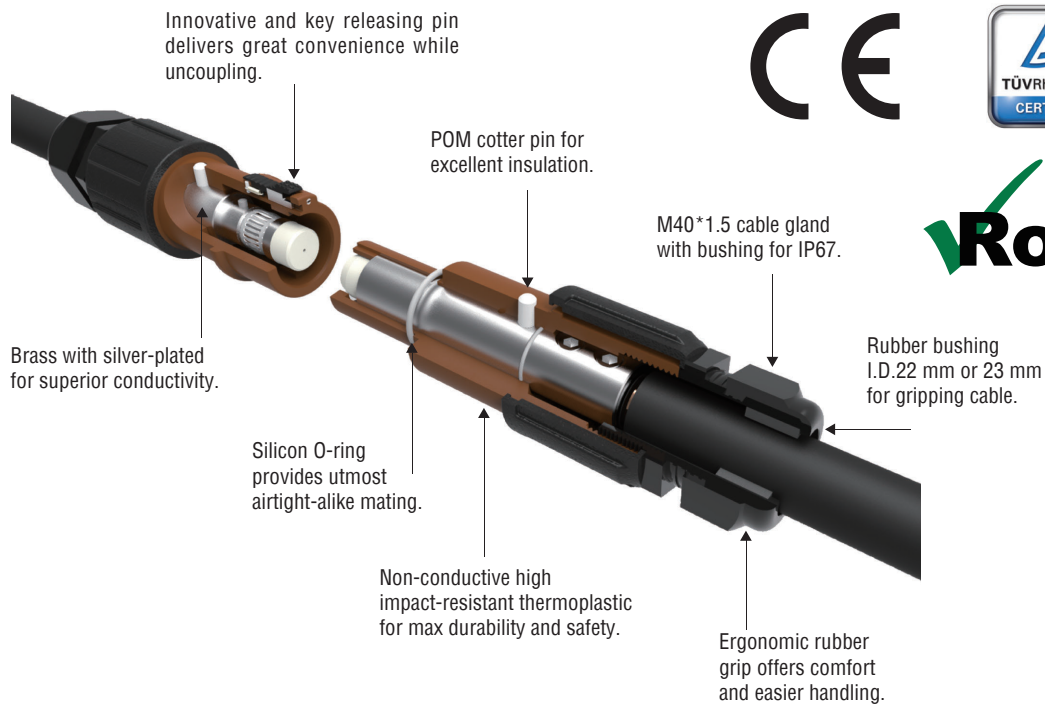
Technical Information

- Current Rating: 400A continuous with 120mmsq 660A continuous with 240mmsq cable.
- Withstanding Voltage: 1000Vac.
- Test Voltage: 4500Vac.
- Short Circuit Rating: Up to 35.5kA.
- Insulation Resistance: >5000 M Ohms at 500Vac.
- Working Temperature: 45 to 85 Degree C
- Contact Type: Set Screw.
- Set Screw Torque on Brass Contact: 10.5 N/meter (minimum required).
- Mating Cycle: 500
- Flammability: UL94-V0.
- CE and RoHS compliant.

- Contact Resistance: 0.1m Ohms.
- IP rating while mated: IP67.
- Contact Material: Brass with silver-plated.
- Housing Material: High Impact Resistant Thermoplastic.
- Cotter Pin Material: POM.



YOUTUBE
POWERFIT 400A SINGLE POLE
POWER CONNECTOR



Innovative push-to-release design makes the uncoupling handy without additional tool. This can be dismantled through small slotted screwdriver if needed.



M40 cable gland comes with two rubber sleeves (I.D. 23mm and 33mm) for the greatest flexibility with fitting the cable.



R120 reduction sleeve made of brass with silver-plated for accommodating up to dia. 16.50mm wire.

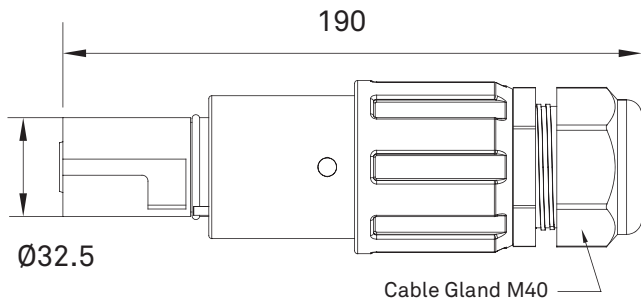


Comfort handling with superior & ergonomic rubber grip.

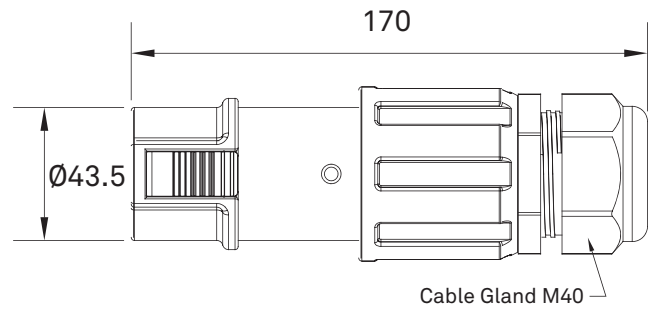


Shorter cotter pin for line source; longer one for line drain. For safety, never reuse cotter pin.

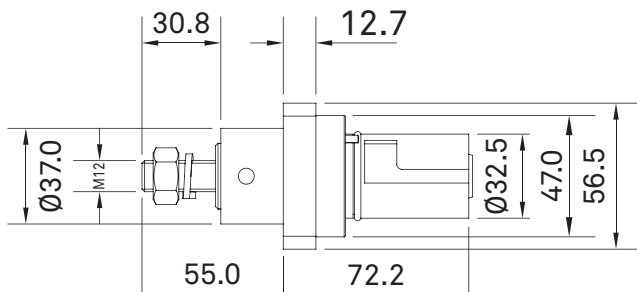
Line Drain



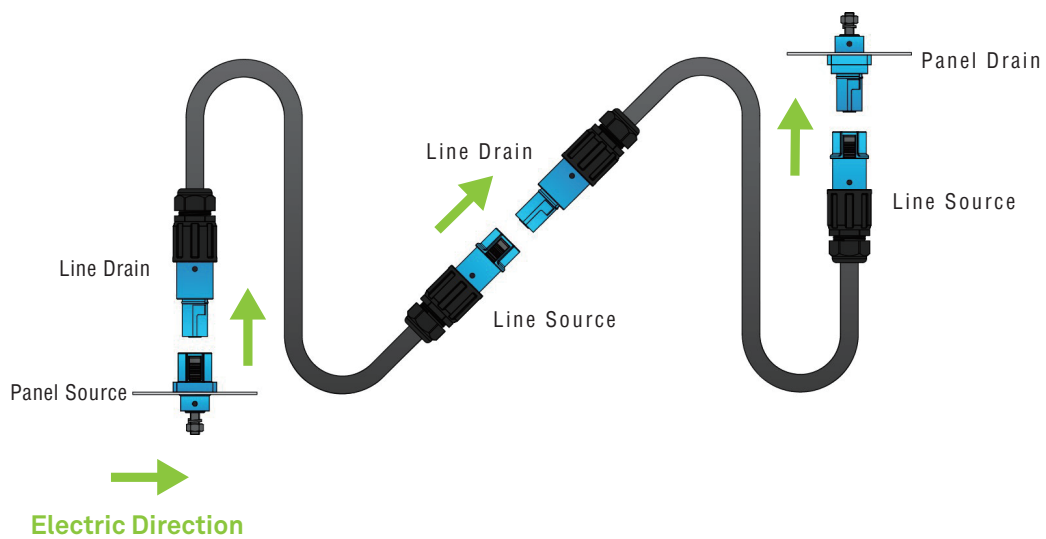
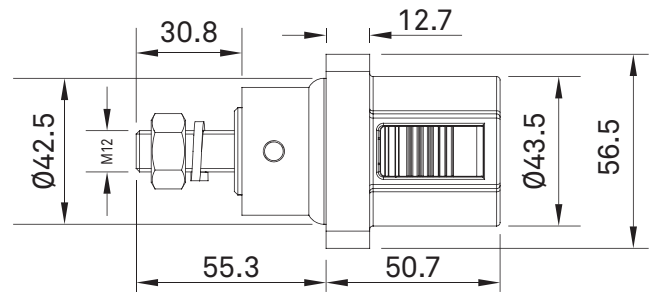
Line Source



Panel Drain



Panel Source



PowerFit Range Order Code

Type	Key Position	Color	Contact Type	Cable Size	Cable Gland Range
LS = Line Source	1 = Line 1	BN = Brown	S = Set Screw	120 = 120mmsq	M40A = 19-28mm
LD = Line Drain	2 = Line 2	BK = Black	C = Crimp	240 = 240mmsq	M40B = 22-32mm
PS = Panel Source	3 = Line 3	GY = Gray	T6 = 660A Panel Mount	300 = 300mmsq	M50 = 30-38mm
PD = Panel Drain	N = Neutral	BL = Blue			
	E = Earth	R = Red			
		W = White			
		Y = Yellow			
		GN = Green			

Line Drain



PFLD- **1BN** **2BK** **3GY** **NBL** **EGN-S120M40A**
1R **2W** **3BL** **NBK**

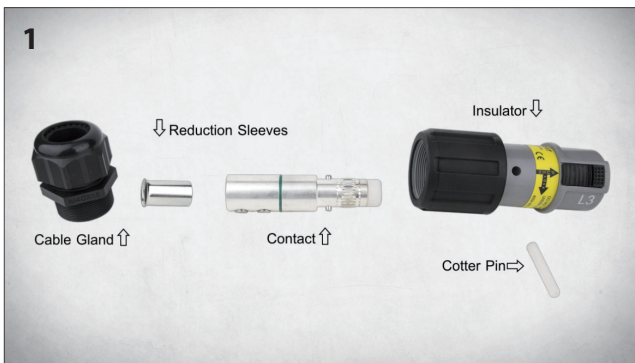
PowerFit 400A In-line Drain Connector

Line Source



PFLS- **1BN** **2BK** **3GY** **NBL** **EGN-S120M40A**
1R **2W** **3BL** **NBK**

PowerFit 400A In-line Source Connector



Remove the cable gland and take out the contact.



Put the contact into the insulator and adjust to align the cotter pin hole



Strip back the cable jacket by around 33mm, then slide on the reduction sleeve over the exposed conductor strand.



When inserting the cotter pin into the insulator, it is easier to hammer it in from the chamfered side of the cotter pin.



Slide the cable with reduction sleeve into the contact, then use a 5mm a/f alley key to tighten both set screws. 10.5N/meter (min. required)



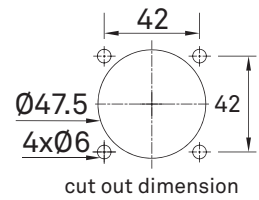
Screw the cable gland, and have an overall check.

Panel Source

- With a male contact, mating with Line Drain.
- Secondary spring pin engages with a slot of source connector to prevent the connector from being uncoupled.

Features

- With a male contact, mates with Line Drain.
- Supplied with M12 threaded post with brass nut and spring washer for cable attachment.
- Color coded and mechanically keyed to prevent mating errors.
- Contacts fitted with a plastic end cap to prevent accidental touching of live parts.
- IP 2X finger protection against electric shock.
- 4 x dia. 5.5mm fixing holes on the flange.



PFPS- **1BN** **2BK** **3GY** **NBL** **EGN**
1R **2W** **3BL** **NBK**

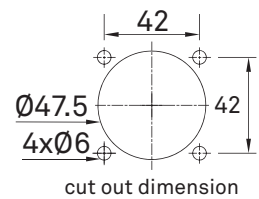
PowerFit 400A Panel Source Connector

Panel Drain

- With a female contact, mating with Line Source.
- Innovative patent key-release pin for easy uncoupling without additional tool.

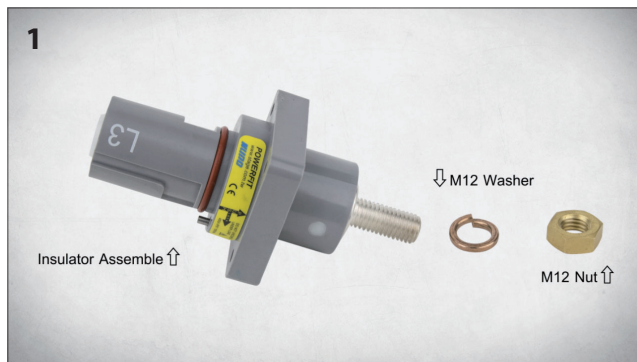
Features

- With a female contact, mates with Line Source.
- Supplied with M12 threaded post with brass nut and spring washer for cable attachment.
- Color coded and mechanically keyed to prevent mating errors.
- Contacts fitted with a plastic end cap to prevent accidental touching of live parts.
- IP 2X finger protection against electric shock.
- 4 x dia. 5.5mm fixing holes on the flange.



PFPD- **1BN** **2BK** **3GY** **NBL** **EGN**
1R **2W** **3BL** **NBK**

PowerFit 400A Panel Drain Connector



Remove the M12 nut and washer from the threaded post.



Fit the terminal over the threaded post



Screw the connector on the panel



Refit the washer and nut onto the threaded post, then tighten to max. of 12N/m

Rugged rubber power distribution boxes with a compact cubic form, factory-built with CE-conformant 400 A PowerFit receptacles. The Three-Fer layout, one single-pole input feeding three lockable outputs maximizes on-site flexibility and load sharing. Housings are fully insulated, flame-retardant, and UV-resistant, with European phase color coding for fast, error-free identification.

400A Powerfit Rubber Cubic Power Distro Box



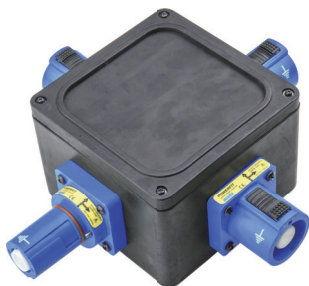
PDB-C1303BN
For EN harmonized L1(Brown) connecting



PDB-C1303BK
For EN harmonized L2(Black) connecting



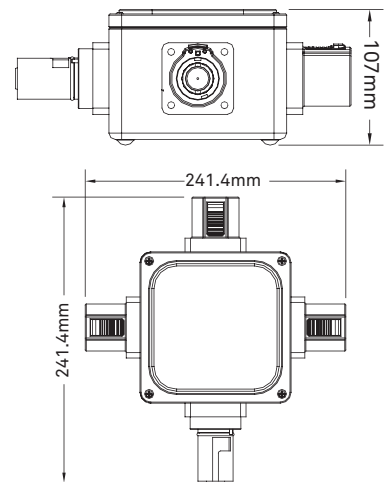
PDB-C1303GY
For EN harmonized L3(Gray) connecting



PDB-C1303B
For EN harmonized N(Blue) connecting



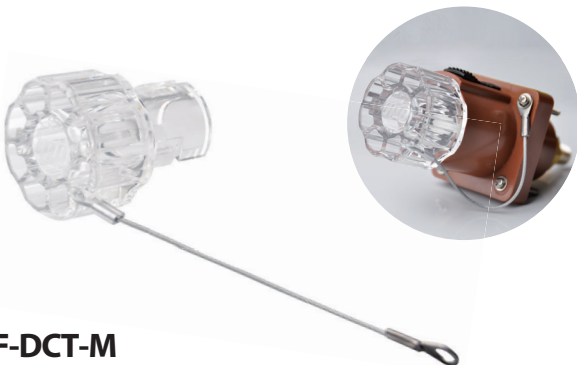
PDB-C1303G
For EN harmonized E(Green) connecting



POWERFIT Weatherproof Protective Cover

Protects exposed metal, keeps weather out when connectors are not mated.

The PowerFit weatherproof protective cover is made of transparent polycarbonate, which is known for its toughness and durability. Allow for see-through visual identification, and designed to fit all compatible brands of connectors, regardless of the phase. This universal key design eliminates the need for multiple cap versions for different connectors, resulting in easier management and reduced investment in maintaining a diverse stock assortment. All covers have a metal cord lanyard for securing to their parent connector.



PF-DCT-M
For panel source connector



PF-DCT-F
For panel drain connector